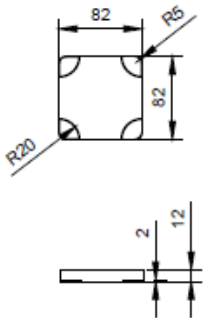
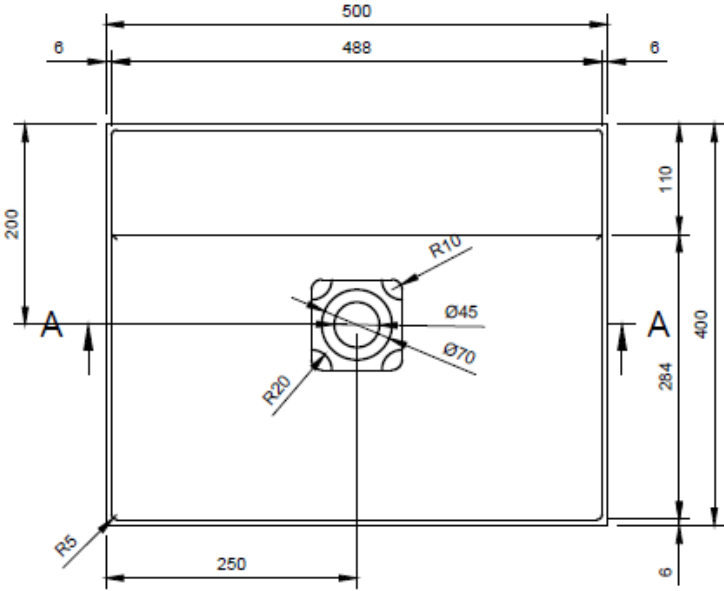




SOLIDBLISS PS IDV 290339

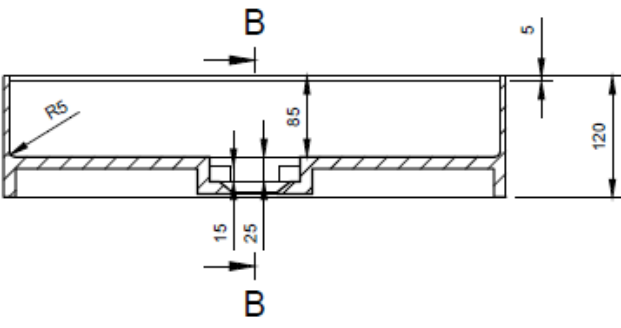


SOLID SURFACE COUNTER VESSEL
19" WIDE BASIN

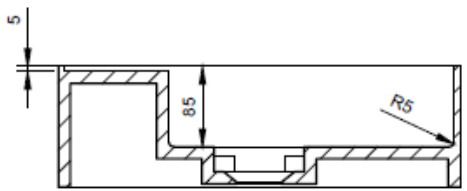


DRAIN COVER

A-A (1:5)



B-B (1:5)



SOLIDBLISS 50 PS IDV 290339

19-3/4" x 15-3/4" x 4-3/4" - 23 LBS
NO FAUCET HOLE. MATTE WHITE.
GRID DRAIN NOT INCLUDED
OPEN DRAIN AVAILABLE
ORDER PS IDV 2903330

NEW 2023



Project Information
Job Name: _____ Date: _____ Type of hardware: _____
Comments: _____
Approved: _____